

HOT WATER CIRCULATION RANGE

JCR



TRACER PUMPS

LEADING IN MOTION

HOT WATER

Circulation pump

Technical data

Single phase	
Continuous heavy duty rated	
Max. liquid temperature:	110°C
Noise:	<45dB
Insulation:	Class F
Protection class:	IP44

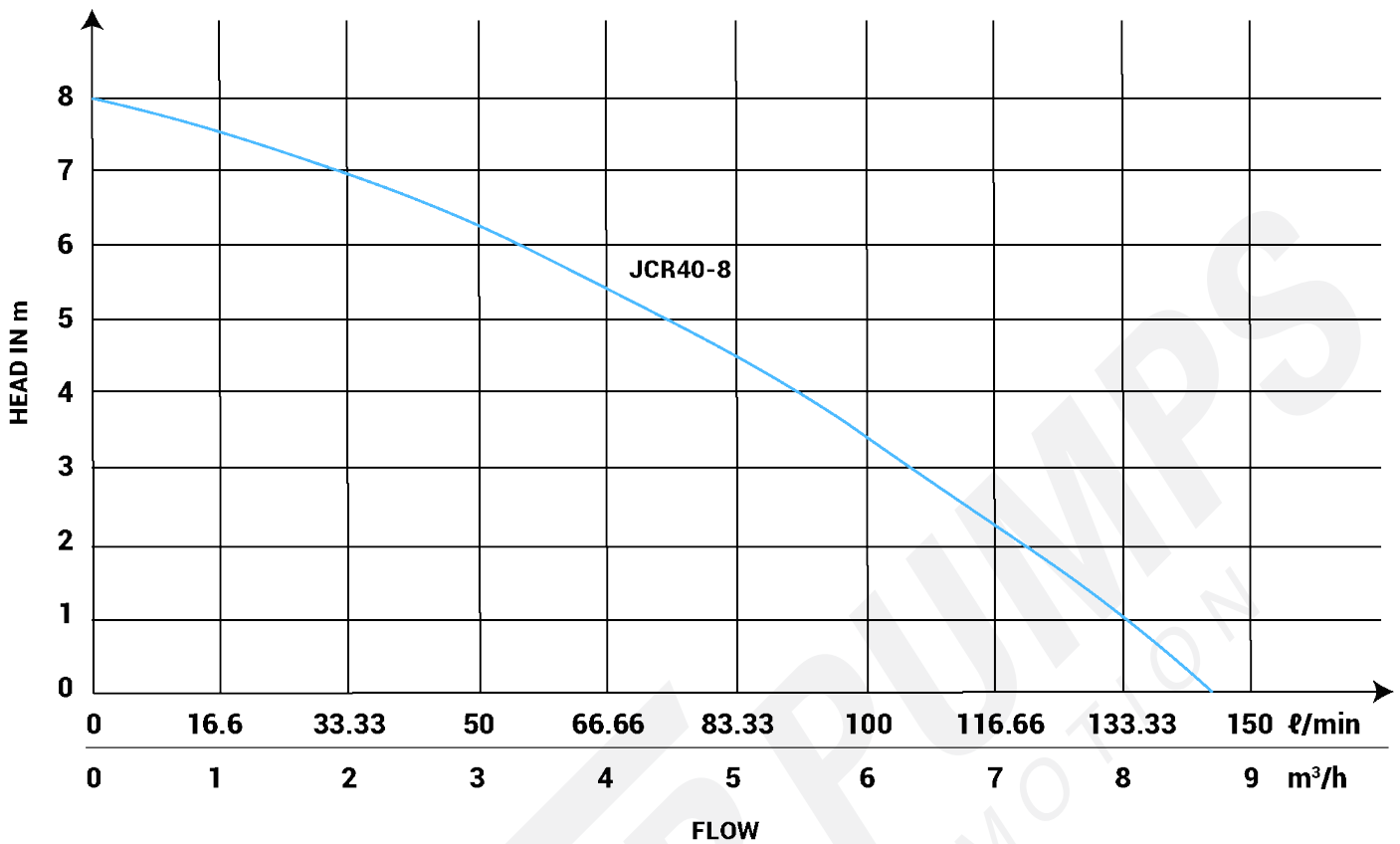
Materials of construction

Pump body:	Cast Iron
Impeller:	PA66/Stainless Steel
Stator Housing	Aluminium
Motor wire:	100% Copper
Shaft:	Ceramic
Bearing:	Ceramic
Rotor:	Copper wire

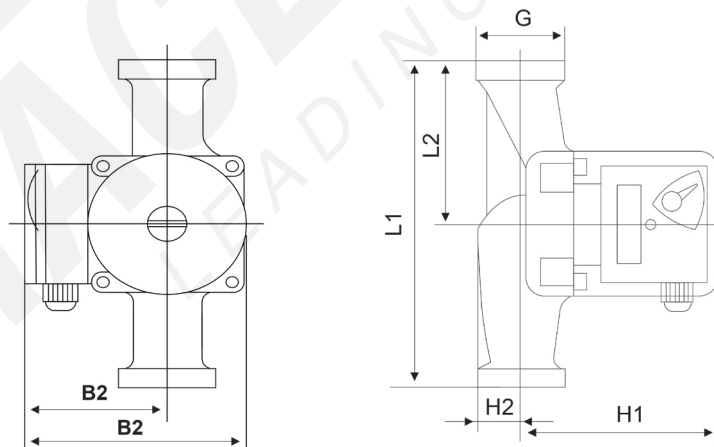
Threaded unions are included with the purchase of this product.

Performance data

MODEL	INPUT POWER (W)	VOLTAGE (V/Hz)	INLET & OUTLET SIZE (mm)	SPEED (r/min)	MAX. FLOW (L/min)	MAX. HEAD (m)
JCR40-8-370G	370	220 /50Hz	40	2860	145	8



Dimensions



MODEL	G	L1	L2	H1	H2	B1	B2
	(inch)	(mm)	(mm)	(mm)	(mm)	(mm)	(mm)
JCR40-8-370G	1 1/2"	180	65	108	29	125	80

HOT WATER

Circulation pump

Applications

The UPS Hot Water Circulation pump is designed for circulation of liquids in heating and air-conditioning systems. Examples of typical applications include hot water service systems, underfloor heating systems, hot water circulation systems, solar hot water circulation systems, etc.

Operating Conditions

Max. Flow: 10m³/h

Max. Head: 12m

Limits of use

Liquid temperature: +2°C~+110°C

Maximum ambient temperature: +40°C

Maximum system pressure: 10 bar

Protection Level: IP44

Mains connection: 220V/50Hz

Insulation class: H

Pumped liquid characteristics: Clean liquids, free from solids and mineral oils, non-toxic, chemically neutral, close to the characteristics of water.

Installation: The motor shaft must be kept in the horizontal position; therefore the unit must be installed on a vertical pipeline.

pH: 6.5 to 8.5

Threaded unions are included with the purchase of this product.

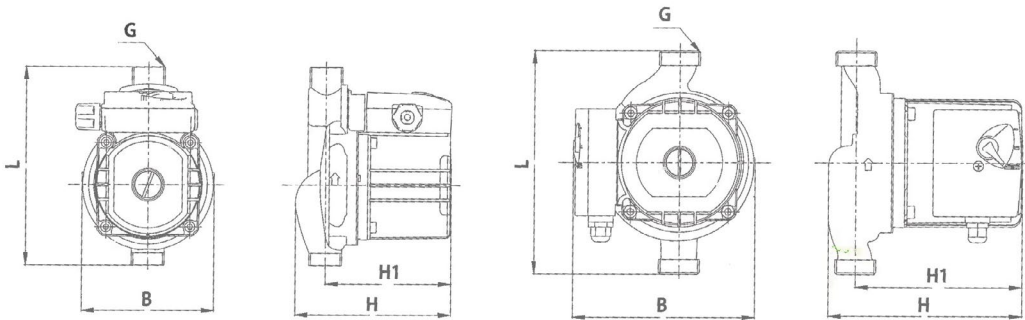


Technical Data

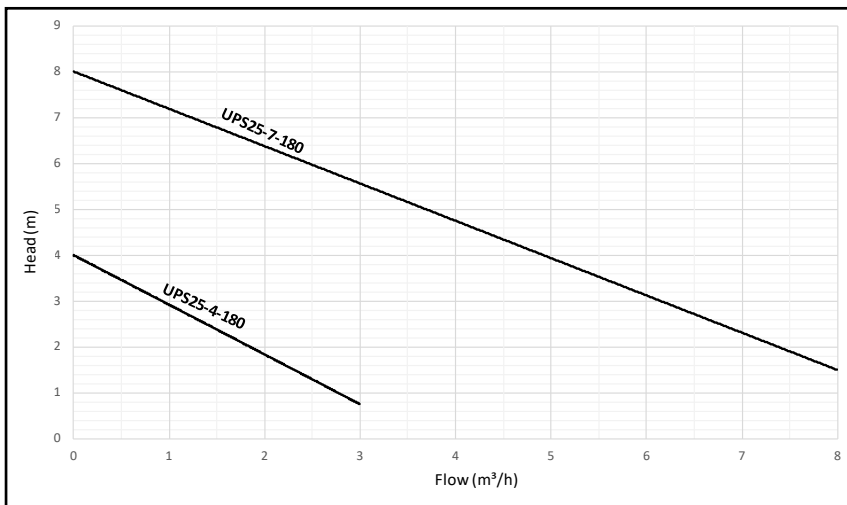
Model	Dim. (mm)					Unions	N.W. (kg)
	H	H1	L	G	B		
UPS25-4-180	130	105	180	G1 ½"	130	G1 ½" to G1"	3
UPS25-7-180	160	130	180	G1 ½"	150	G1 ½" to G1"	5

Model	Speed	Input Power (w)	Voltage	Max Head (m)	Max flow (m ³ /h)	G.W. (kg)
			(V/Hz)			
UPS25-4-180	3	60	220~240V/50Hz	4	3	3.0
	2	45				
	1	30				
UPS25-7-180	3	200	220~240V/50Hz	8	7	5.0
	2	185				
	1	145				

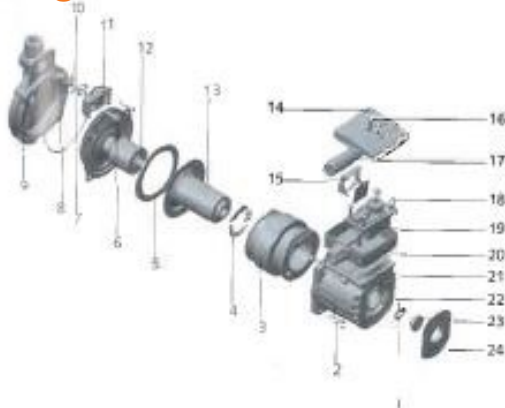
Dimensions



Performance Curve



Diagram



No.	Component	Material
1	Nameplate	PA6
2	Air Clock	Brass
3	O-ring	EPDM
4	Hex Socket Screws	Steel
5	Stator Housing	Aluminium
6	Stator	/
7	Sealing Ring II	EPDM
8	Rotor Can	Stainless Steel
9	Sealing Ring I	EPDM

No.	Component	Material
10	Impeller	PES+GF
	Shaft	Ceramic
	Thrust Bearing	Graphite
	Radial Bearing	Ceramic
11	Pump Body	Cast iron
12	Terminal Box Cover	ABS
13	Capacitor	/
14	Circuit Board	/
15	Self-tapping Screw	Stainless Steel
16	Capacitor Bracket	ABS
17	Screws	Steel
18	Terminal Box Base	PA66G30
19	Terminal Box Sealing Gasket	EPDM

HOT WATER CIRCULATOR

Fitting Positions

